

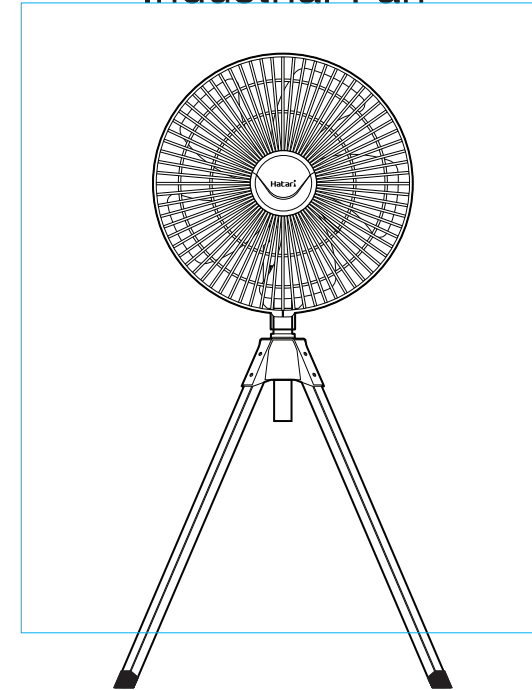
Item code: 1002260-REV.02

Hatari

Model: IQ22M1

User Manual

Industrial Fan



PRODUCT SPECIFICATIONS

Model	IQ22M1
Size	550 mm
Voltage	220-240V 50/60Hz
Electric Power	197-264W
Electric Current	0.93-1.14A
Service Value	0.92 m ³ /min/W

Hatari

Hatari Electric Co., Ltd.
10 Rama 2, Soi 94, Samaedam, Bangkhunthian, Bangkok 10150, Thailand
Tel : +66 2 896 2400
Fax : +66 2 896 2416
Email : services@hatari.co.th



www.hatari.co.th

Thank you for choosing to buy a Hatari appliance.

To ensure safety and optimal usage, please read the instructions carefully before using. Retain this manual for future reference.

CAUTION

1. Unplug the fan before cleaning or changing fan components, and when not in use for a long period of time.
2. Do not use the fan if not all components are assembled or if components such as blade cap, blade or grille are found to be defective.
3. The appliance is not to be used by persons (including children) with reduced physical, sensory or mental capabilities, or lack of experience and knowledge, unless they have been given supervision or instruction.
4. This appliance can be used by children aged from 8 years and above and persons with reduced physical, sensory or mental capabilities or lack of experience and knowledge if they have been given supervision or instruction concerning use of the appliance in a safe way and understand the hazards involved.
5. Children shall not play with the appliance.
6. Cleaning and user maintenance shall not be made by children without supervision.

USAGE RECOMMENDATIONS

1. The fan components should be assembled correctly according to the manual to prevent possible harm that may occur while in use.
2. The fan should not be placed or installed in areas that are of extreme temperatures or near stoves, or in areas that are wet with high humidity, or has hydrocarbon vapors such as petroleum.
3. The fan should not be operated near curtains or mosquito nets because the fan may suck in the light material and entangle them with the blades, possibly causing harm.
4. Do not spray all types of spray into the fan; for example, hairspray or cleaning spray.
5. Do not insert fingers, pencils or other objects into the grille while the blades are spinning as it may result in possible injury or physical damage.
6. If a component such as blade, grille, blade cap, or the rear grille lock is damaged, replacement can be made using a new component. Please refer to the assembly instructions.
7. If an electrical component such as power cord, motor, or switch is damaged, it must be replaced by the manufacturer, its service agent or a qualified person in order to avoid hazards. It is not advisable to fix the fan at home.

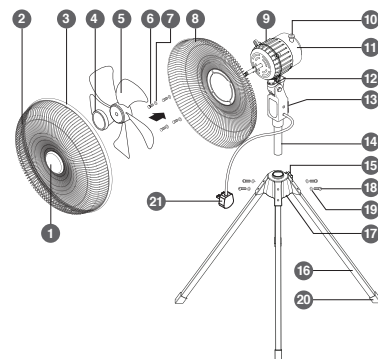
DIRECTION OF USE

Plug power supply cord into a 220-240V, 50/60Hz power socket.

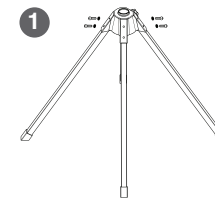
- | | |
|-------------------------|--|
| 1. Fan Speed Adjustment | 3 adjustable fan speed settings 0: off, 1: low speed, 2: medium speed, 3: high speed |
| 2. Swing Adjustment | Push the oscillation knob down to activate left-right movements. Pull the oscillation knob up to cease movement. |
| 3. Fan Angle Adjustment | Tilt the grille upwards or downwards according to the desired wind direction. |

FAN COMPONENTS

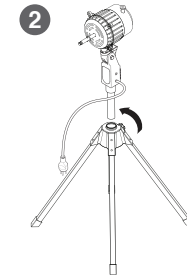
- | | |
|----------------------|---------------------------------|
| 1. DECO | 13. FAN SPEED BUTTONS |
| 2. FRONT GRILLE | 14. UPPER STAND |
| 3. GRILLE RING | 15. HEIGHT ADJUSTMENT KNOB |
| 4. BLADE CAP | 16. FAN LEGS |
| 5. FAN BLADE | 17. LEG COVER |
| 6. REAR GRILLE SCREW | 18. SCREW FOR SECURING FAN LEGS |
| 7. SPRING WASHER | 19. WASHER |
| 8. REAR GRILLE | 20. LEGS BASE PROTECTIVE RUBBER |
| 9. MOTOR | 21. POWER SUPPLY CORD |
| 10. OSCILLATION KNOB | |
| 11. REAR MOTOR COVER | |
| 12. NECK JOINT SET | |



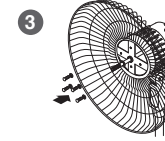
ASSEMBLY INSTRUCTIONS



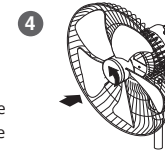
Attach the leg cover (17) to the fan legs (16) and secure it tightly to the four legs with the screws (18) and washers (19).



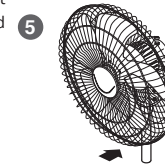
Insert the upper stand (14) to the legs set (16) (as shown by the diagram). Adjust the height as desired by turning the height adjustment knob, fix the desired height by tightening the button.



Insert the rear grille and tightly attach the screws (6) and spring washers (7) to the front motor cover according to the 4 indicated positions.



Place the blade onto the motor shaft, ensuring that grooves of the blade fit with the catch, then place the blade cap over the blade, tightening it by twisting it in the direction as shown by the arrow (TIGHTEN).



Place the front grille onto the fan with the lock on the edge of the grille interlocking with the top part of the rear grille. Use your hands to press the grille ring in all directions, then tighten the screw on the grille ring using a screwdriver.

Plug in the fan and press the fan speed button 1, 2, 3 respectively. If the fan makes a loud noise, check if the blade cap is fitted tightly and whether the grooves on the blade fits the corresponding catches of the motor shaft.

CARE AND CLEANING INSTRUCTIONS

1. Use a damp cloth to wipe stains, and then dry the area by wiping.
2. When cleaning fan, be careful not to let the wire, switch, motor and other electrical components get wet.
3. Do not use chemical products, thinner solvents, alcohol, kerosene or petrol to clean the fan.