

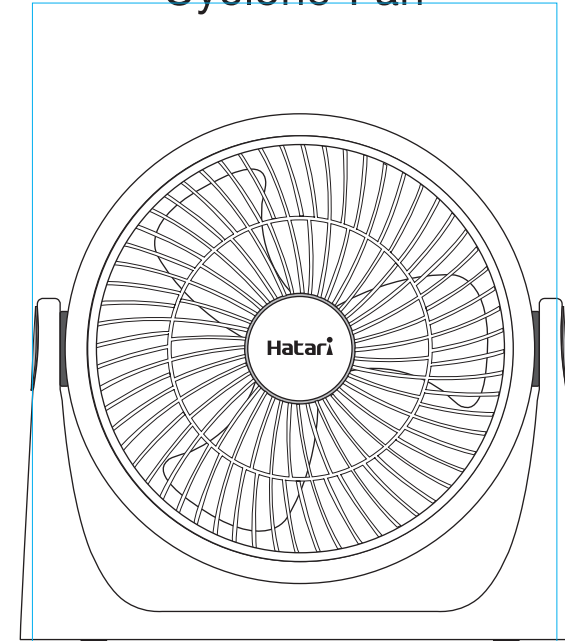
Item code: 1002251 REV.02

Hatari

Model: HT-PS20M1

User Manual

Cyclone Fan



PRODUCT SPECIFICATIONS

Model	HT-PS20M1
Size	200 mm
Voltage	220-240V 50/60Hz
Electric Power	25W
Electric Current	0.12A
Service Value	0.90 m ³ /min/W

Hatari

Hatari Electric Co., Ltd.
10 Rama 2, Soi 94, Samaedam, Bangkhunthian, Bangkok 10150, Thailand
Tel : +66 2 896 2400
Fax : +66 2 896 2416
Email : services@hatari.co.th



www.hatari.co.th

Thank you for choosing to buy a Hatari appliance.

To ensure safety and optimal usage, please read the instructions carefully before using. Retain this manual for future reference.

CAUTION

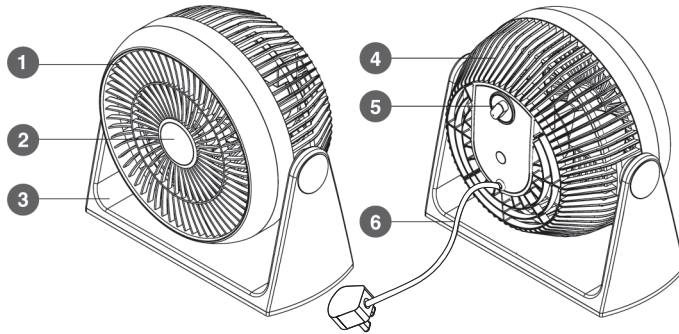
1. Unplug the fan before cleaning or changing fan components, and when not in use for a long period of time.
2. This appliance can be used by children aged from 8 years and above and persons with reduced physical, sensory or mental capabilities or lack of experience and knowledge if they have been given supervision or instruction concerning use of the appliance in a safe way and understand the hazards involved.
3. The appliance is not to be used by persons (including children) with reduced physical, sensory or mental capabilities, or lack of experience and knowledge, unless they have been given supervision or instruction.
4. Children shall not play with the appliance.
5. Cleaning and user maintenance shall not be made by children without supervision.

USAGE RECOMMENDATIONS

1. The fan should not be placed or installed in areas that are of extremely high temperatures or near stoves, or in places that are wet with high humidity or has hydrocarbon vapors such as petroleum.
2. The fan should not be operated near curtains or mosquito nets because the fan may suck in the light material and entangle them with the blades, possibly causing harm.
3. Do not spray all types of spray into the fan; for example, hairspray or cleaning spray.
4. Do not insert fingers, pencils or other objects into the grille while the blades are spinning as it may result in possible injury or physical damage.
5. If an electrical component such as power cord, motor, or switch is damaged, it must be replaced by the manufacturer, its service agent or a qualified person in order to avoid hazards. It is not advisable to fix the fan at home.

FAN COMPONENTS

1. FRONT GRILLE COVER
2. DECO
3. FAN BASE
4. REAR GRILLE COVER
5. SWITCH KNOB
6. POWER SUPPLY CORD



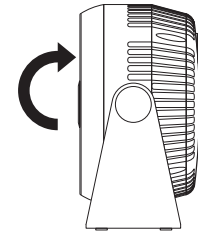
DIRECTION OF USE

Plug power supply cord into a 220-240V, 50/60Hz power socket.

1. Fan Speed Adjustment 3 adjustable fan speed settings 0: off, 1: low speed, 2: medium speed, 3: high speed



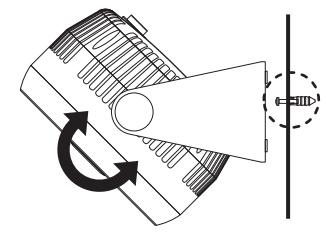
2. Fan Angle Adjustment Tilt the grille upwards or downwards according to the desired wind direction.



Front facing angle



6 adjustable angles up to 90°



Can be mounted onto the wall using anchor screw set

CARE AND CLEANING INSTRUCTIONS

1. Use a damp cloth to wipe stains, and then dry the area by wiping.
2. When cleaning fan, be careful not to let the wire, switch, motor and other electrical components get wet.
3. Do not use chemical products, thinner solvents, alcohol, kerosene or petrol to clean the fan.