

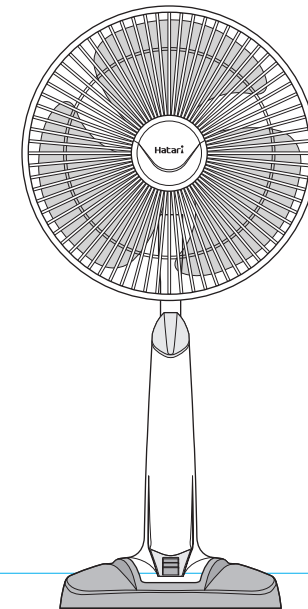
Item code: 1002348 REV.02

Hatari

Model: HT-S16M7

User Manual

Slide Fan



PRODUCT SPECIFICATIONS

Model	HT-S16M7
Size	400 mm
Voltage	220-240V 50/60Hz
Electric Power	52W
Electric Current	0.23A
Service Value	1.30 m ³ /min/W

Thank you for choosing to buy a Hatari appliance.

To ensure safety and optimal usage, please read the instructions carefully before using. Retain this manual for future reference.

Hatari

Hatari Electric Co., Ltd.
10 Rama 2, Soi 94, Samaedam, Bangkhunthian, Bangkok 10150, Thailand
Tel : +66 2 896 2400
Fax : +66 2 896 2416
Email : services@hatari.co.th



www.hatari.co.th

CAUTION

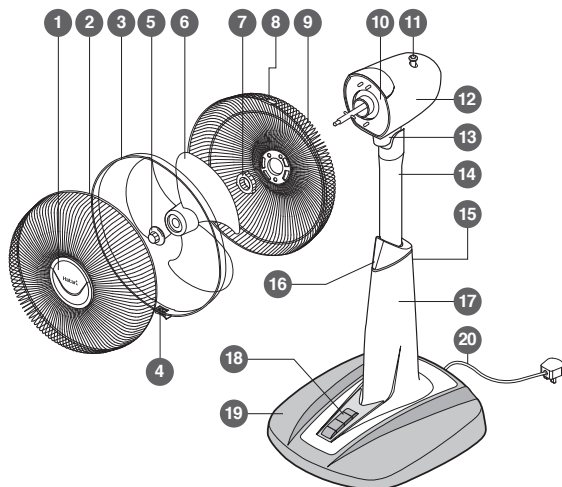
1. Unplug the power supply cord before cleaning or changing the components, and when not in use for a long period of time.
2. Do not use the fan if components are not assembled fully or properly, or if a component such as blade, grille, or blade cap is damaged.
3. The appliance is not to be used by persons (including children) with reduced physical, sensory or mental capabilities, or lack of experience and knowledge, unless they have been given supervision or instruction.
4. Do not press the height adjustment button if the fan is not assembled properly.
5. This appliance can be used by children aged from 8 years and above and persons with reduced physical, sensory or mental capabilities or lack of experience and knowledge if they have been given supervision or instruction concerning use of the appliance in a safe way and understand the hazards involved.
6. Children shall not play with the appliance.
7. Cleaning and user maintenance shall not be made by children without supervision.

USAGE RECOMMENDATIONS

1. The fan components should be assembled correctly according to the manual to prevent possible harm that may occur while in use.
2. The fan should not be placed or installed in areas that are of extreme temperatures or near stoves, or in areas that are wet with high humidity, or has hydrocarbon vapors such as petroleum.
3. The fan should not be operated near curtains or mosquito nets because the fan may suck in the light material and entangle them with the blades, possibly causing harm.
4. Do not spray all types of spray into the fan; for example, hairspray or cleaning spray.
5. Do not insert fingers, pencils or other objects into the grille while the blades are spinning as it may result in possible injury or physical damage.
6. If a component such as blade, grille, blade cap, or the back grille lock is damaged, replacement can be made using a new component. Please refer to the assembly instructions.
7. If an electrical component such as supply cord, motor, or switch is damaged, it must be replaced by the manufacturer, its service agent or similarly qualified persons in order to avoid a hazard. It is not advisable to fix the fan at home.

FAN COMPONENTS

1. DECO
2. FRONT GRILLE
3. GRILLE RING
4. GRILLE CLIP
5. BLADE CAP
6. FAN BLADE
7. BACK GRILLE LOCK
8. BACK GRILLE CLIP LOCK
9. BACK GRILLE
10. FRONT MOTOR COVER
11. OSCILLATION KNOB
12. BACK MOTOR COVER
13. NECK JOINT SET
14. HEIGHT ADJUSTMENT POST
15. HEIGHT ADJUSTMENT BUTTON
16. STAND COVER
17. STAND
18. FAN SPEED BUTTONS
19. FAN BASE
20. POWER SUPPLY CORD & PLUG



DIRECTION OF USE

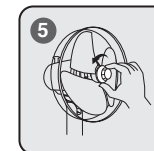
Plug power supply cord into a 220-240V, 50/60Hz power socket.

- | | |
|---------------------------|--|
| 1. Fan speed adjustment | 3 adjustable fan speed settings 0: off, 1: low speed, 2: medium speed, 3: high speed |
| 2. Oscillation adjustment | Push the oscillation knob down to activate left-right movements. Pull the oscillation knob up to cease movement. |
| 3. Fan angle adjustment | Tilt the grille upwards or downwards according to the desired wind direction. |

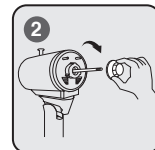
ASSEMBLY INSTRUCTIONS



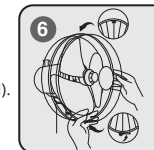
String the power supply cord through the hole in the fan base. Place the stand into the corresponding base slot and press on all sides. (Be careful not to let the power supply cord be squeezed between the fan and the base)



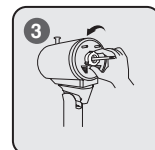
Place the blade onto the motor shaft, ensuring that grooves of the blade fit with the motor shaft pin. Place the blade cap over the blade and tighten it by twisting in the direction as shown by the arrow (TIGHTEN).



Loosen the blade cap by twisting it in the direction as shown by the arrow (LOOSEN).



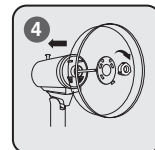
Assemble the front grille with the catch on the grille ring interlocking with the back grille clip lock. Press the grille ring in all directions then push the grille clip up.



Loosen the back grille lock by twisting it in the direction as shown by the arrow (LOOSEN).



Adjust the height by pressing the height adjustment button and moving the height adjustment post.



Assemble the back grille as shown in the diagram. Place the back grille lock over the grille and tighten it by twisting in the direction as shown by the arrow (TIGHTEN).

Plug in the fan and press the fan speed button 1, 2, 3 respectively. If the fan makes a loud noise, check if the blade cap is screwed on tightly and whether the grooves of the blade fit the corresponding motor shaft pin.

CARE AND CLEANING INSTRUCTIONS

1. Use a damp cloth to wipe stains, and then dry the area by wiping.
2. When cleaning the fan, be careful not to let the wire, switch, motor and other electrical components get wet.
3. Do not use chemical products, thinner solvents, alcohol, kerosene or petrol to clean the fan.